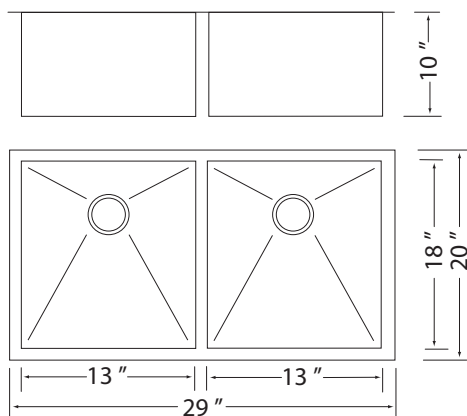


HANA - EX

SKU: 2920A



DESCRIPTION

Stainless Steel Undermount
Double Equal Bowl Squareline Kitchen Sink

DIMENSIONS

Overall Size: 29" x 20" x 10"
Weight: 28 lbs
Minimum Cabinet Width: 33"

FEATURES

18 Gauge T304 Stainless Steel
StoneGuard Undercoat
Sound Dampening Rubber Padding
3 1/2" Drain Opening

FINISHES

Satin Finish

INSTALLATION

Undercounter Installation
CAD DWG File Available
Stainless Steel Strainer Included (x2)

ACCESSORIES

Stainless Steel Strainers
Stainless Steel Basket Strainers
Custom Sink Grid 2920A



WWW.PEARLSINKS.COM

The information in this document is subject to change without notice. Pearl Sinks / Barak Building Supplies Ltd. does not warrant the information held herein.