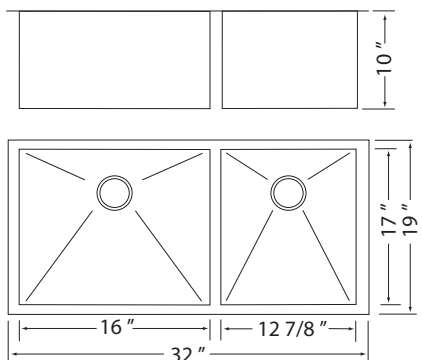


HANA - SL

SKU: 3219BL



DESCRIPTION

Stainless Steel Undermount
Double Offset Bowl Squareline Kitchen Sink

DIMENSIONS

Overall Size: 32" x 19" x 10"
Weight: 28 lbs
Minimum Cabinet Width: 36"

FEATURES

18 Gauge T304 Stainless Steel
StoneGuard Undercoat
Sound Dampening Rubber Padding
3 1/2" Drain Opening

FINISHES

Satin Finish

INSTALLATION

Undercounter Installation
CAD DWG File Available
Stainless Steel Strainer Included (x2)

ACCESSORIES

Stainless Steel Strainers
Stainless Steel Basket Strainers
Custom Sink Grid 3219BL-B & 3219BL-S
Custom Colander GB819



WWW.PEARLSINKS.COM

The information in this document is subject to change without notice. Pearl Sinks / Barak Building Supplies Ltd. does not warrant the information held herein.